

- NOTES:
- HOUSING: HIGH TEMPERATURE THERMOPLASTIC.  
COLOR: BLACK  
TERMINAL: COPPER ALLOY, SELECTIVE Au PLATING  
METAL SHELL: STAINLESS STEEL  
EACH SWITCHES: COPPER ALLOY, SELECTIVE Au PLATING.  
EACH NAILS: COPPER ALLOY, SELECTIVE AU PLATING.  
COIL SPRING: STEEL WIRE.  
CAM PIN: STAINLESS STEEL
  - TERMINAL AND NAIL COPLANARITY TO BE 0.1MAX
  - CONTACT POSITION OF CARD SIDE

TERMINAL NO.	CONTACT POSITION
NO.1	2.4
NO.2,5,6,7,8	2.9
NO.3,4	3.4
NO.9	5.2

4.OPEN/CLOSE OF EACH SWITCH

	PROTECT TERMINAL		DETECT TERMINAL
	WRITE PROTECT POSITION	WRITE ENABLE POSITION	
CARD UNINSERTION	OPEN	OPEN	OPEN
CARD HALF INSERTION	CLOSE	CLOSE	OPEN
CARD INSERTION	OPEN	CLOSE	CLOSE

- WHEN DELIVERING, THE PUSH/PUSH MECHANISM IS IN THE STATE OF THE UNLOCK.(CARD DASHING OUT POSITION)
- CARD READ ONLY BY THE TIME THE CARD DETECTION.
- 7.I/O CONTACTS, BASED ON SD I/O ASSOC. REV.G.
- PRODUCT SPECIFICATION REFER TO PS-67913-002.

PART NO.	DESCRIPTION	REMARK
67913-0011	TIN-LEAD	FOR SD ONLY
67913-8011	LEAD-FREE	
67913-0008	TIN-LEAD	SD/MMC
67913-8008	LEAD-FREE	

REVISED  
EC NO: SH2008-0499  
DRWNL:SONG09 2008/04/10  
CHKD:JTIAN 2008/04/22  
APPR:HWANG 2008/04/23

QUALITY SYMBOLS  
▽=0  
▽C=0

GENERAL TOLERANCES (UNLESS SPECIFIED)

	mm	INCH
4 PLACES	± ---	± ---
3 PLACES	± ---	± ---
2 PLACES	± 0.25	± ---
1 PLACE	± 0.25	± ---
ANGULAR ± 3 °		

DRAFT WHERE APPLICABLE  
MUST REMAIN WITHIN DIMENSIONS

DIMENSION STYLE  
MM ONLY

DRAWN BY: MAX  
DATE: 2003/02/13

CHECKED BY: WILSON  
DATE: 2003/02/13

APPROVED BY: ERICK  
DATE: 2003/02/13

MATERIAL NO. SEE TABLE

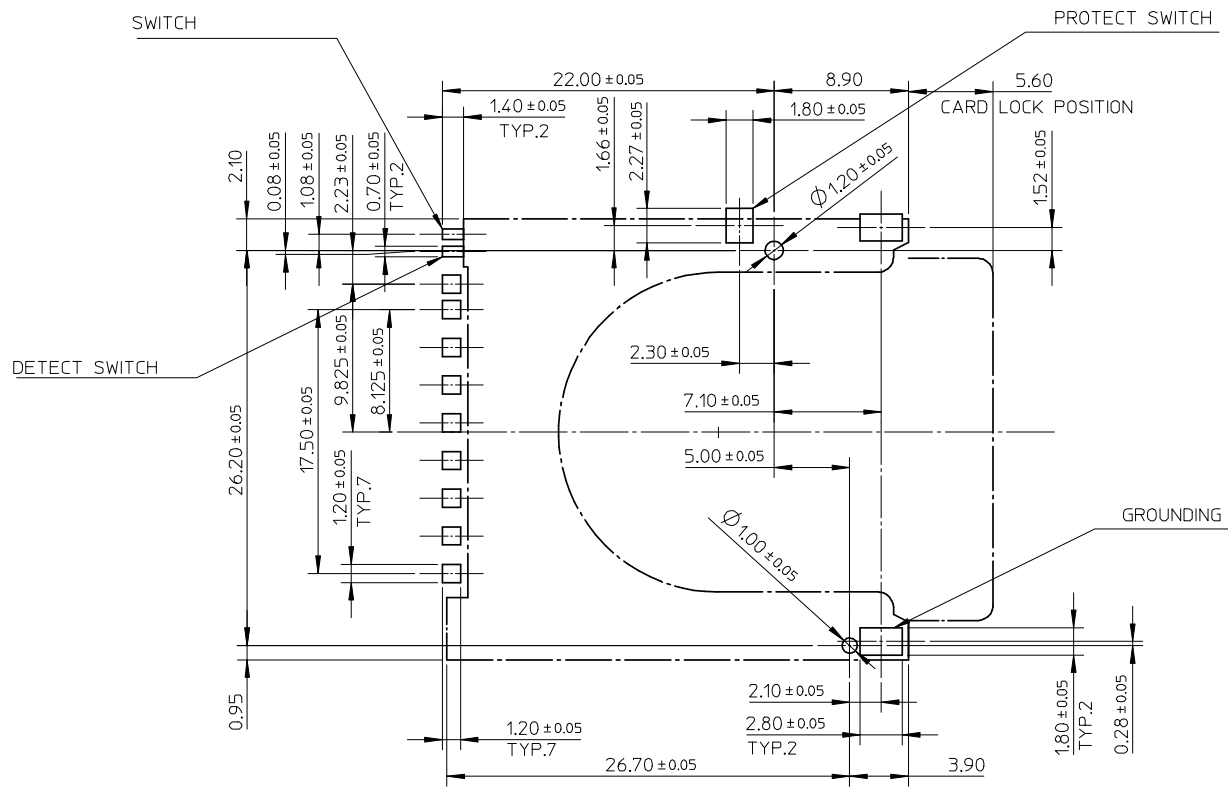
SCALE 3:1  
DESIGN UNITS METRIC  
THIRD ANGLE PROJECTION

SD/IO CARD CONN.  
REVERSE TYPE WITH  
PUSH PUSH

**MOLEX** MOLEX INCORPORATED

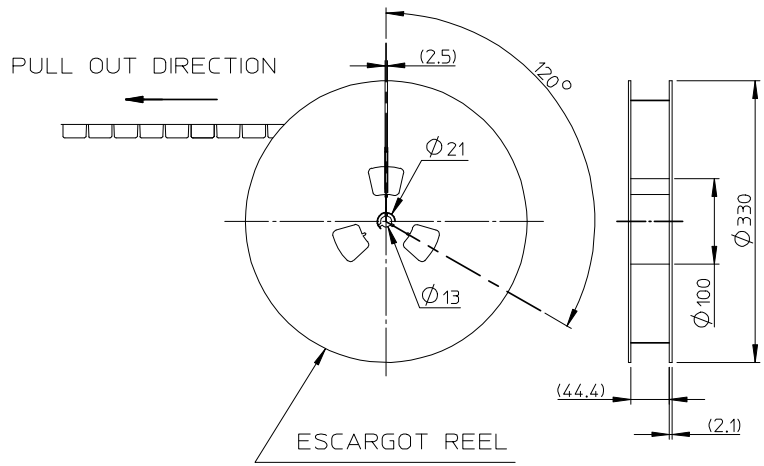
DOCUMENT NO. SD-67913-011  
SHEET NO. 1 OF 3

THIS DRAWING CONTAINS INFORMATION THAT IS PROPRIETARY TO MOLEX INCORPORATED AND SHOULD NOT BE USED WITHOUT WRITTEN PERMISSION



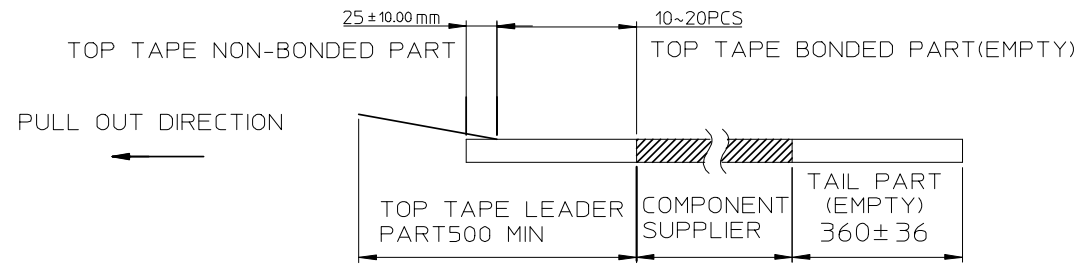
RECOMMENDED P.C.B LAYOUT DIMENSION

REVISED EC NO: SH2008-0499 DRWNL:SONG09 CHKD:JT IAN APPR:HWANG 2008/04/10 2008/04/22 2008/04/23	DESCRIPTION T1	QUALITY SYMBOLS	GENERAL TOLERANCES (UNLESS SPECIFIED)	DIMENSION STYLE	SCALE	DESIGN UNITS	THIRD ANGLE PROJECTION	
		$\nabla=0$ $\sphericalangle=0$	mm    INCH 4 PLACES ± --- ± --- 3 PLACES ± --- ± --- 2 PLACES ± 0.25 ± --- 1 PLACE ± 0.25 ± --- ANGULAR ± 3 °	MM ONLY	3:1	METRIC		
			DRAFT WHERE APPLICABLE MUST REMAIN WITHIN DIMENSIONS	DRAWN BY: MAX CHECKED BY: WILSON APPROVED BY: ERICK MATERIAL NO. SEE SHEET 1	DATE: 2003/02/13 DATE: 2003/02/13 DATE: 2003/02/13	TITLE: SD/IO CARD CONN. REVERSE TYPE WITH PUSH PUSH MOLEX INCORPORATED DOCUMENT NO. SD-67913-011		
				SIZE: A3	THIS DRAWING CONTAINS INFORMATION THAT IS PROPRIETARY TO MOLEX INCORPORATED AND SHOULD NOT BE USED WITHOUT WRITTEN PERMISSION			SHEET NO. 2 OF 3

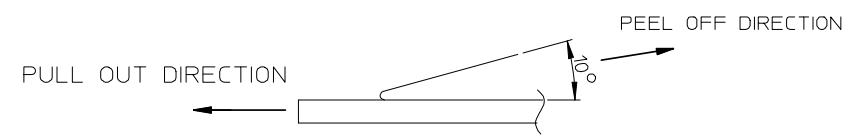


**NOTES**

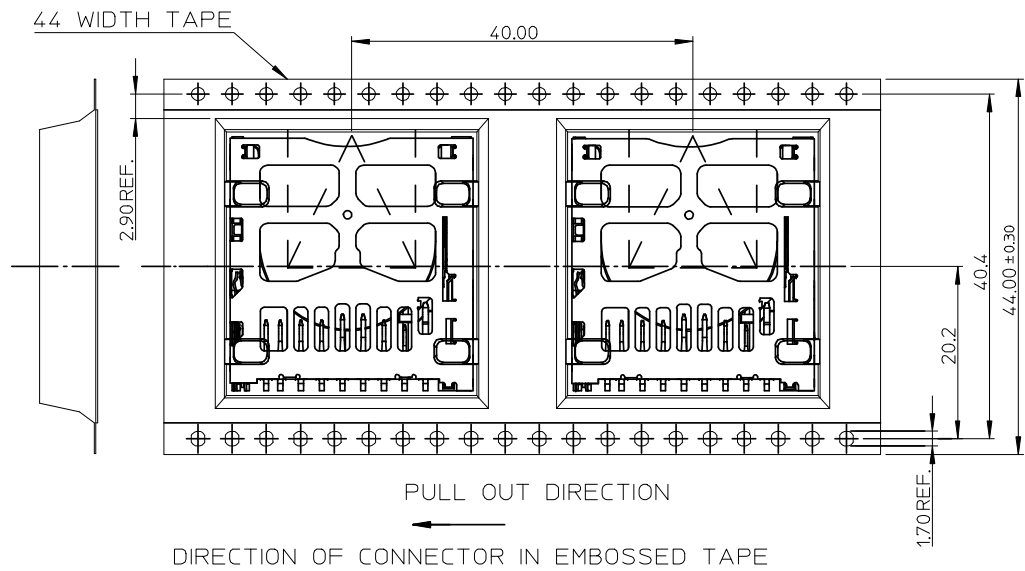
1. NUMBER OF CONNECTORS: 300 PCS/REEL
- 2.



3. PEEL OFF FORCE OF TOP TAPE: 0.1~1.3 N (10.2~130gf)  
PEELING DIRECTION AS SHOWN IN FOLLOWING FIG.)  
(PEEL OFF SPEED: 300mm/min.REF.)



4. PACKAGING DRAWING REFERS TO PK-67913-001.



REVISED EC NO: SH2008-0499 DRWNLSONG09 CHKD:JTIAN APPR:HWANG	2008/04/10 2008/04/22 2008/04/23	DESCRIPTION REV	QUALITY SYMBOLS	GENERAL TOLERANCES (UNLESS SPECIFIED)	DIMENSION STYLE	SCALE	DESIGN UNITS	THIRD ANGLE PROJECTION
			▼=0 ▽=0	mm INCH 4 PLACES ± --- ± --- 3 PLACES ± --- ± --- 2 PLACES ± 0.25 ± --- 1 PLACE ± 0.25 ± --- ANGULAR ± 3 °	MM ONLY DRAWN BY DATE MAX 2003/02/13 CHECKED BY DATE WILSON 2003/02/13 APPROVED BY DATE ERICK 2003/02/13	1:1 METRIC	□ THIRD ANGLE PROJECTION	
			DRAFT WHERE APPLICABLE MUST REMAIN WITHIN DIMENSIONS	MATERIAL NO. SEE SHEET 1	TITLE SD/IO CARD CONN. REVERSE TYPE WITH PUSH PUSH	MOLEX INCORPORATED DOCUMENT NO. SD-67913-011	SHEET NO. 3 OF 3	
			THIS DRAWING CONTAINS INFORMATION THAT IS PROPRIETARY TO MOLEX INCORPORATED AND SHOULD NOT BE USED WITHOUT WRITTEN PERMISSION					